

Mechatronics of Vehicles and Construction Machinery

Speciality

Vehicle Mechatronics

Speciality supervisor

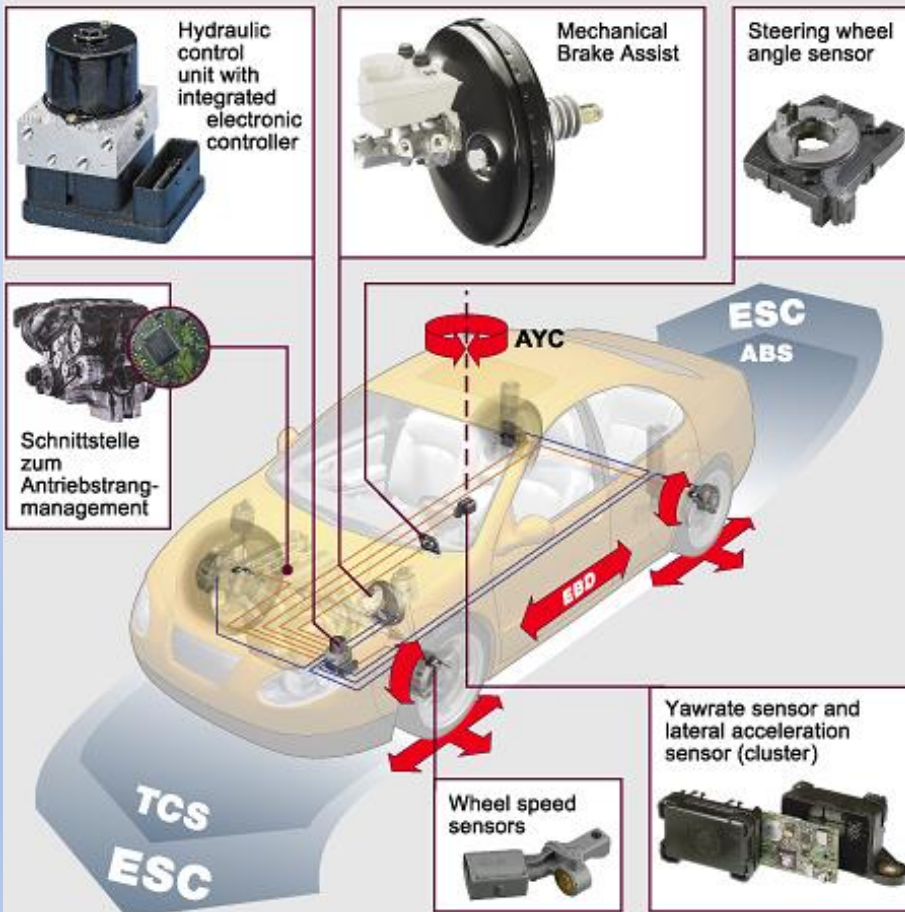
PhD, Eng. Marcin Jasiński

Vehicle Mechatronics

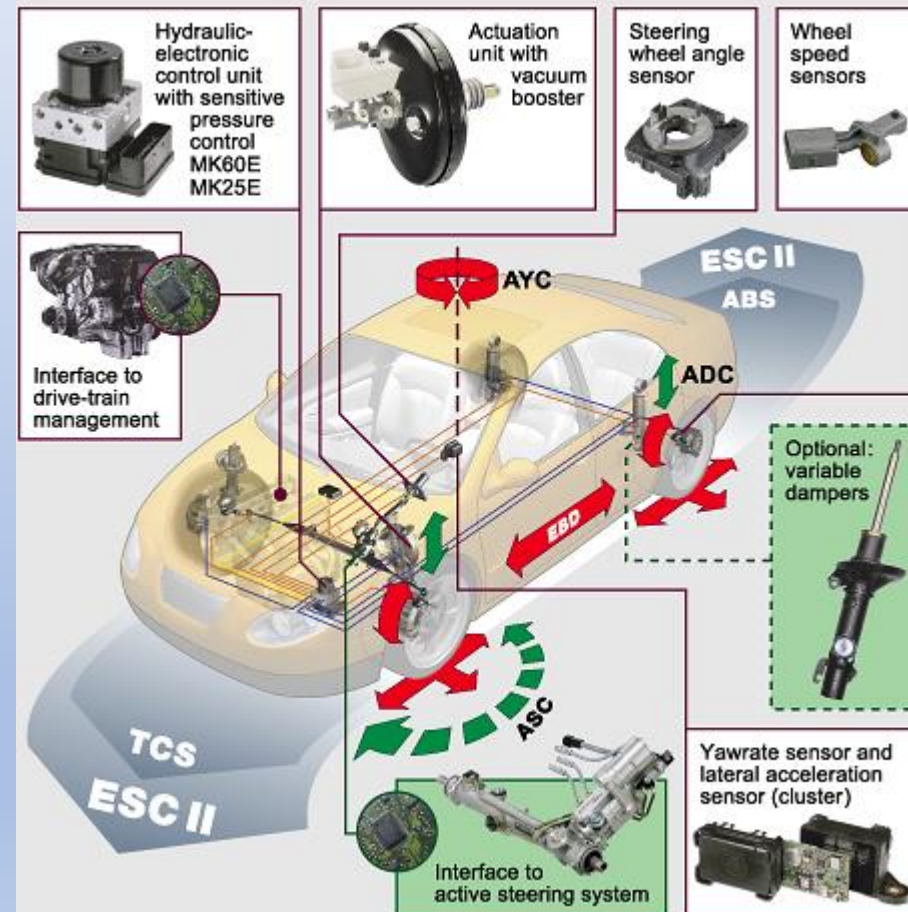
No.	Sem.	Module Title	Lecturer
1	6	Vehicle mechatronics (30 h Lecture, 15 h Laboratory)	PhD Eng. M. Jasiński
2	6	Vehicle power trains (30 h Lecture, 15 h Laboratory)	Prof. A. Wąsiewski
3	6	On-board diagnostics of vehicles (30 h Lecture, 15 h Laboratory)	PhD Eng. Marcin Wojs
5	7	Autonomous Vehicles (30 h Lecture)	PhD Eng. Przemysław Szulim
6	7	Information Systems in Vehicles (15 h Lecture, 15 h Laboratory)	PhD Eng. K. Szczurowski
7	7	Vehicles Acoustics (15 h Lecture, 15 h Laboratory)	PhD Eng. M. Jasiński

Vehicle mechatronics

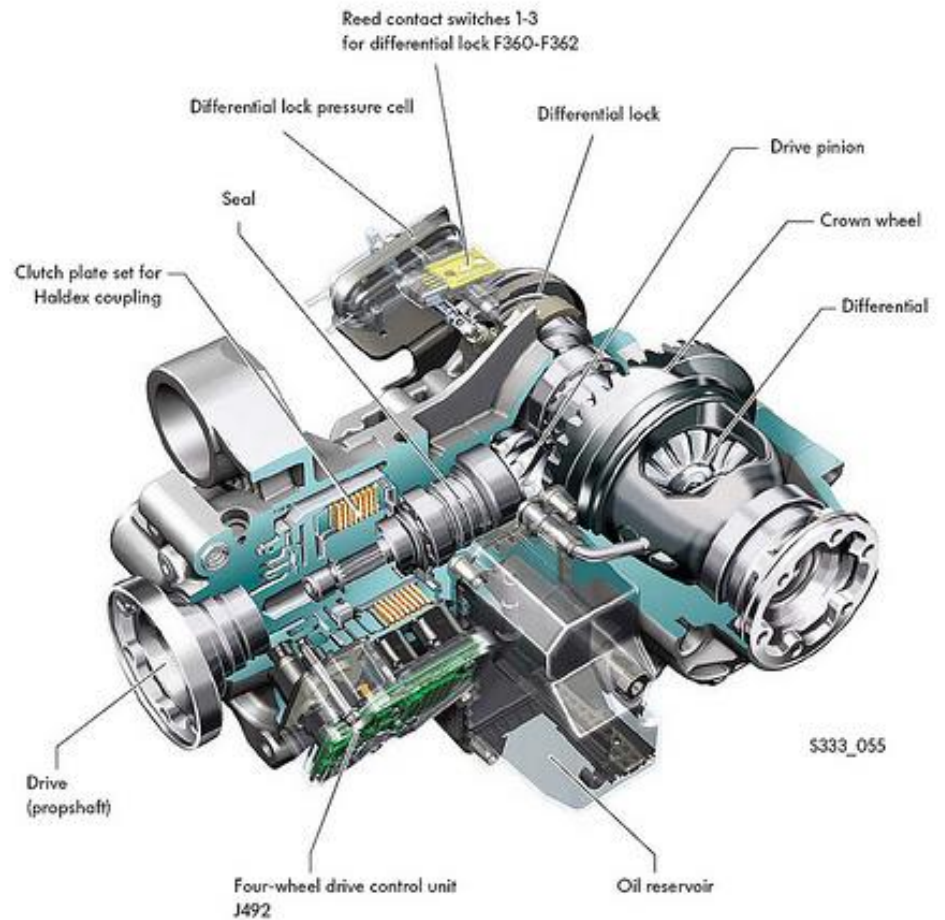
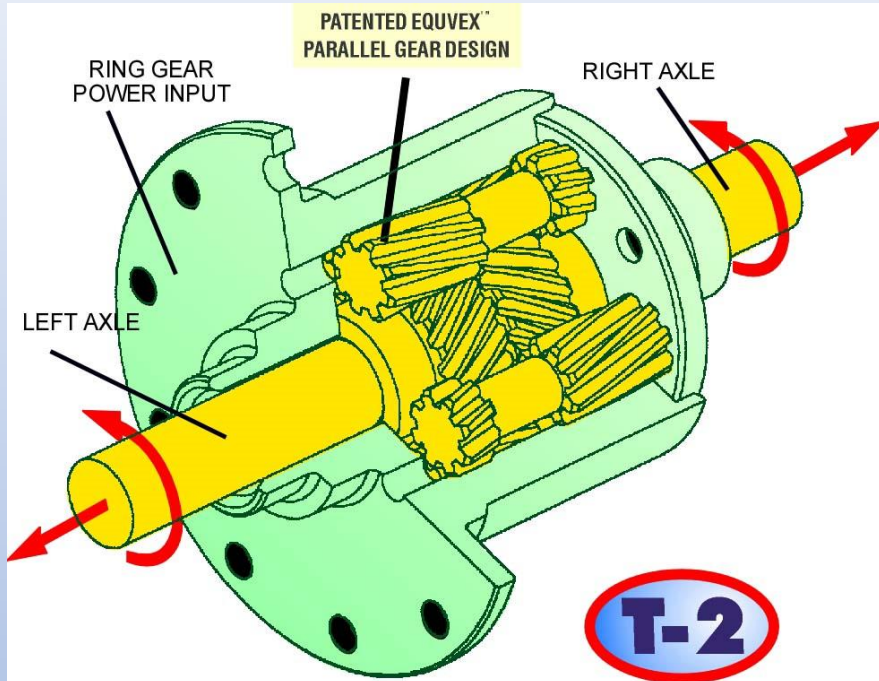
ESC – Functions and Components



ESC II – Functions and Components



New vehicle power trains



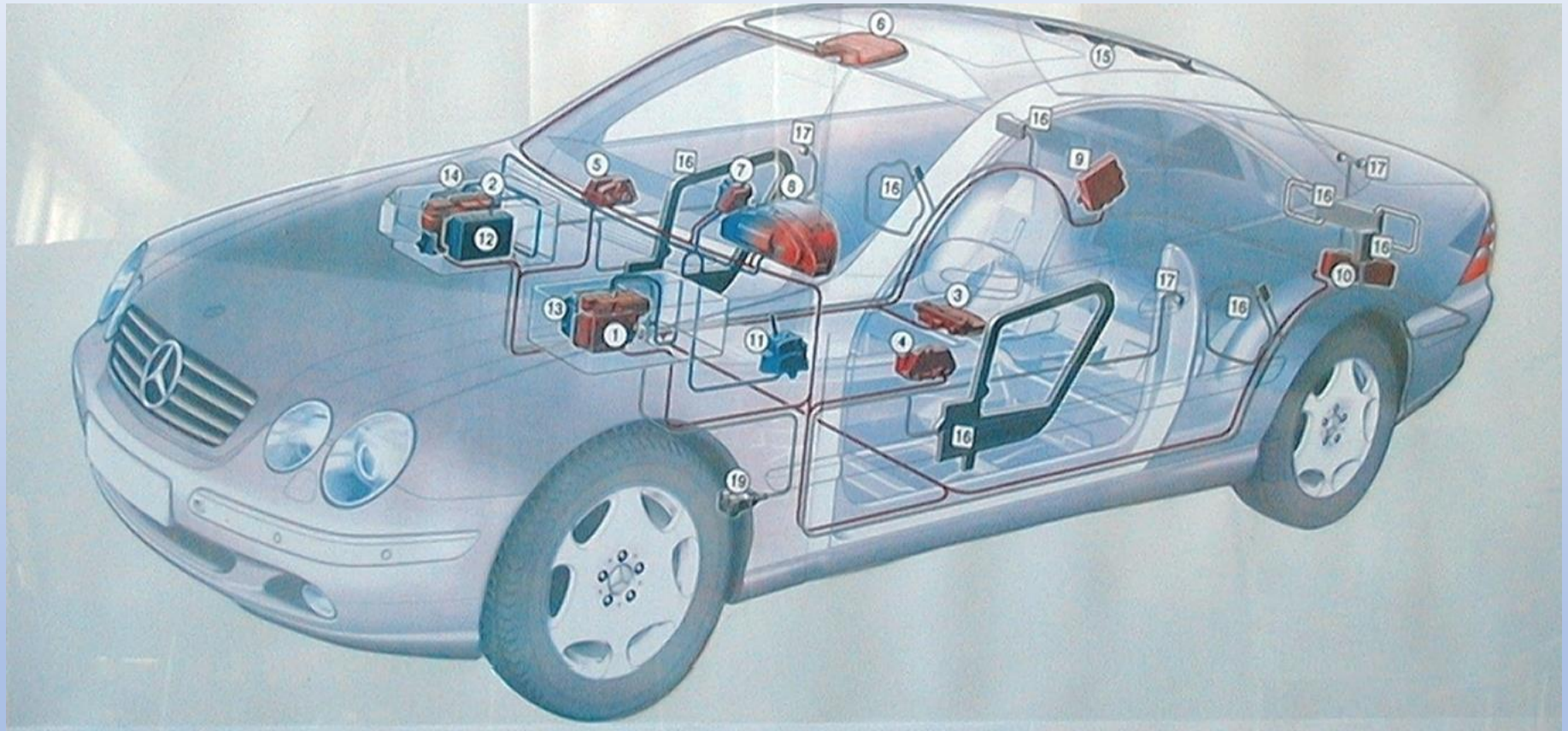
On-board diagnostics of vehicles



Autonomous vehicles



Information systems in vehicles



SRS, ABS + EBD, ASR, ESP, ABC, Radar, ...

Vehicles Acoustics



Vehicle Mechatronics

No.	Sem.	Module Title	Lecturer
1	6	Vehicle mechatronics (30 h Lecture, 15 h Laboratory)	PhD Eng. M. Jasiński
2	6	Vehicle power trains (30 h Lecture, 15 h Laboratory)	Prof. A. Wąsiewski
3	6	On-board diagnostics of vehicles (30 h Lecture, 15 h Laboratory)	PhD Eng. Marcin Wojs
5	7	Autonomous Vehicles (30 h Lecture)	PhD Eng. Przemysław Szulim
6	7	Information Systems in Vehicles (15 h Lecture, 15 h Laboratory)	PhD Eng. K. Szczurowski
7	7	Vehicles Acoustics (15 h Lecture, 15 h Laboratory)	PhD Eng. M. Jasiński

Vehicle Mechatronics

**Semester 6
Interim Project**

**Semester 7
Thesis**

Topics of Interim Projects and Thesis

- **Simulators of engine power systems**
- **CAN networks**
- **Distributed diagnostic systems**
- **Autonomous platforms**
- **Image analysis in autonomous systems**
- **Vibration and noise propagation**
- **Precision farming**
- **Universal controllers in vehicles**
- **Weapon test stands + bullet trap**
- **Damage-oriented motor controllers**
- **Analysis of magnetomechanical phenomena with the participation of moderately fast-varying vibrations**
- **Robotic stand for measuring key parameters of human-machine interfaces with eyetrackers**